

Browning® Right Angle Center Drive Gearmotors

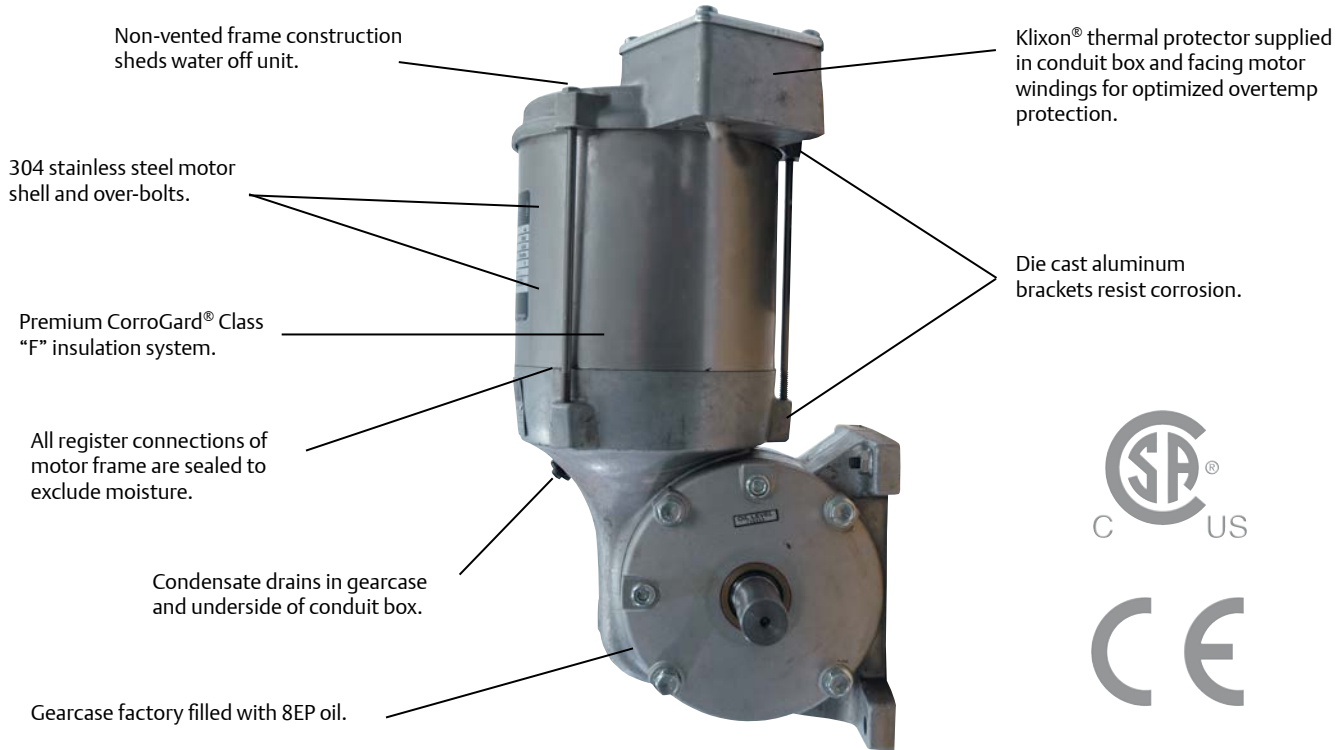
Browning worm center drive gearmotors have proven in over 40 years of service to meet or exceed the demanding requirements for reliability on mechanized irrigation systems worldwide. Recent innovations like a 304 stainless steel motor frame, vacuum impregnated **CorroGard®** insulation system and revised Klixon® protector location inside the conduit box preserve our leadership position among the world competition. Each gearmotor is factory filled with high temperature only. 8EP lubricant to allow quick installation and start-up in your applications. Models are stocked in both 1 and 1.5 horsepower versions in many popular ratios, and are designed to deliver superior starting and breakdown torque in 60 Hz 460V and 50 Hz 380V regions of the world. These gearmotors have sufficient torque capacity and the same mounting dimensions to replace even current helical center drives.



Stock Model	60 Hertz @ 460V		50 Hertz @ 380V	
	HP	RPM	HP	RPM
7843	1	30	.83	25
A856	1	37	.83	31
F463	1	45	.83	38
A799	1.5	56	1.25	47
E612	1.5	84	1.25	70



Browning® Right Angle Center Drive Gearmotors



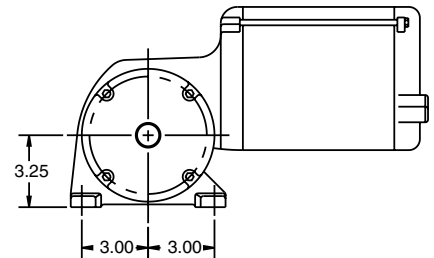
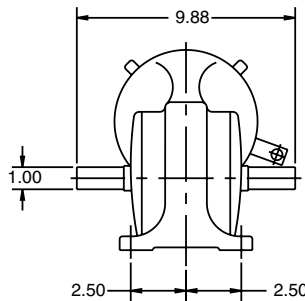
DIMENSIONS:

All dimensions are in inches and for estimating purposes



Regal Power Transmission Solutions
 7120 New Buffington Rd
 Florence, KY 41042
 Customer Service: 800-626-2120
 Fax: 800-262-3292
 Technical Service: 800-626-2093

www.RegalPTS.com



APPLICATION CONSIDERATIONS

The proper selection and application of power transmission products and components, including the related area of product safety, is the responsibility of the customer. Operating and performance requirements and potential associated issues will vary appreciably depending upon the use and application of such products and components. The scope of the technical and application information included in this publication is necessarily limited. Unusual operating environments and conditions, lubrication requirements, loading supports, and other factors can materially affect the application and operating results of the products and components and the customer should carefully review its requirements. Any technical advice or review furnished by Regal Beloit America, Inc. and its affiliates with respect to the use of products and components is given in good faith and without charge, and Regal assumes no obligation or liability for the advice given, or results obtained, all such advice and review being given and accepted at customer's risk.

For a copy of our Standard Terms and Conditions of Sale, Disclaimers of Warranty, Limitation of Liability and Remedy, please contact Customer Service at 1-800-626-2120. These terms and conditions of sale, disclaimers and limitations of liability apply to any person who may buy, acquire or use a Regal Beloit America Inc. product referred to herein, including any person who buys from a licensed distributor of these branded products.

Browning and CorroGard are trademarks of Regal Beloit Corporation or one of its affiliated companies. Klixon is believed to be the trademark and/or trade name of Sensata Technologies and is not owned or controlled by Regal Beloit America, Inc. ©2015 Regal Beloit Corporation, All Rights Reserved. MCF15031E • Form 9080E • Printed in USA

A Regal Brand



www.regalbeloit.com